



Holo-Carb-T

Oxygen probes

Main Features:

- High precision ($\pm 0.03\%$ C)
- Different size available
- Easy installation
- Cheap maintenance
- High reliability
- Totally interchangeable with other manufacturer's probes and instrumentation



General applications:

Carbon potential control during heat treatment process in atmosphere

In the heat treatment carburizing and carbonitriding process, the carbon potential control takes on an important role for the success of the process. Having a reliable and precise equipment offers a significant and qualitative advantage.

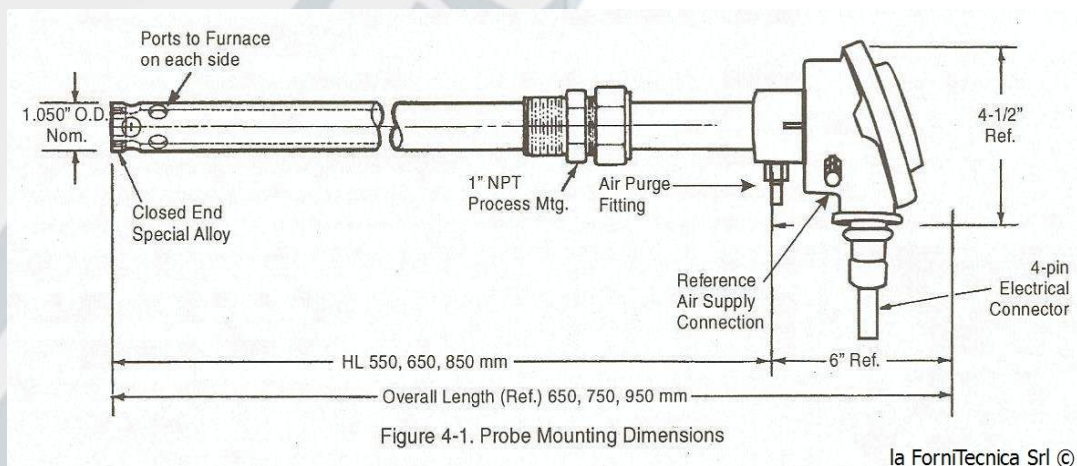
The oxygen probe Holo-Carb-T, because it is put inside the chamber, allows you to get an instant and continuous value.

The sensor generates a voltage that is proportional to the oxygen concentration and temperature then the carbon potential at given temperature is obtained.

Available size:

T 600

T 900



la ForniTecnica Srl ©

La ForniTecnica S.r.l.

Uffici Amministrativi e Produzione: Via Giampietro Lucini, 21 20125 Milano Italy

Tel. +39 02 84568277 - Fax: +39 02 84571230 -

E-Mail: admin@lafornitecnica.it

Sede Legale: Via Giampietro Lucini, 21 20125 Milano Italy - Capitale sociale Euro 10.500,00 i.v.

Registro Imprese di Milano n. 07487100963 - Codice fiscale 07487100963 - R.E.A. di Milano n. 1961990 - Partita IVA 07487100963